

**Step 1**

Image A

Image B

Image C/D

- Connect antenna
- Open and connect table stand
- Insert power cord and switch on unit

**Step 2**

Image A

**Adjusting Volume on your FrontRow To Go Receiver**

Turn both volume dials to setting 3. It can be adjusted later in combination with your transmitter.

**Step 3**

Image A

Image B

Image C

**Powering your Transmitter and Microphone**

- Insert batteries into 921T transmitter
- Insert batteries into 922T pass microphone
- Insert power cable into charger
- Place transmitter and pass microphone in charger and charge overnight

**Step 4**

**Setting Frequencies on Channels**

Before you can start teaching you need to set the channels on your transmitter to match the channels on your receiver. Your receiver has two channels, A and B.

- Set the frequency number on your body-worn transmitter 921T to match the frequency number on your receiver units' channel A
- To use the pass microphone set the frequency number to match the frequency number on your receiver units' channel B

Image A

Image B

**Step 5**

Image A

Image B

**Switching on Transmitter and Connecting Microphone**

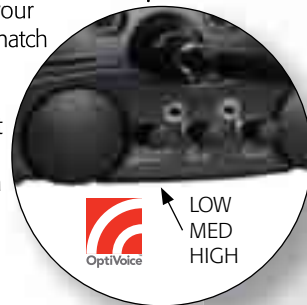
- Insert microphone jack into 921T microphone socket
- Switch transmitter on

Adjust the volume on your receiver depending on the environment.

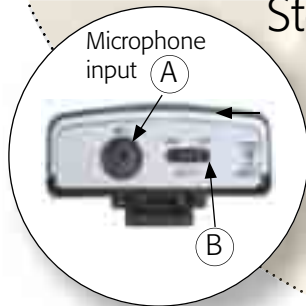
**Step 6**

**Select OptiVoice Setting**

- Low: Low noise environment, natural voice reproduction
- Med: Moderate noise; increases emphasis on mid and high frequencies
- High: Best for noisy environment, maximizes mid and high speed frequencies

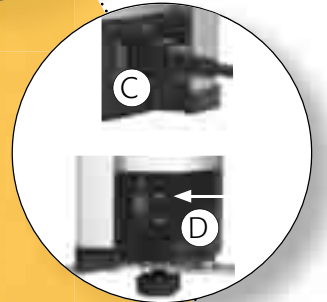
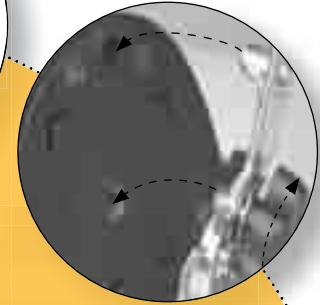
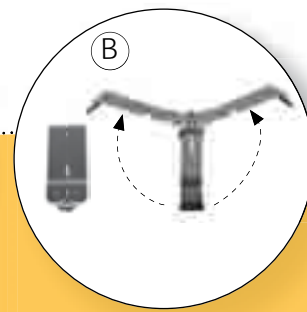
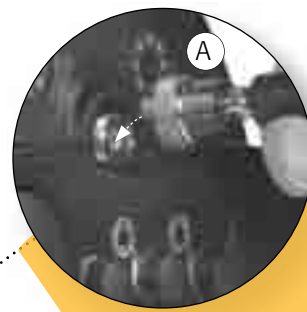


OptiVoice  
LOW  
MED  
HIGH



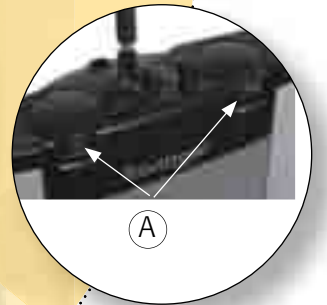
Microphone input (A)

Step 6



Step 1

Step 2

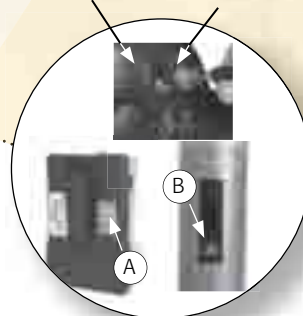


(A)

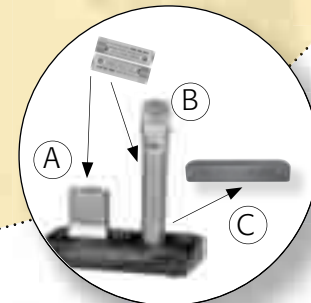
Step 5

Step 4

Channel A Channel B



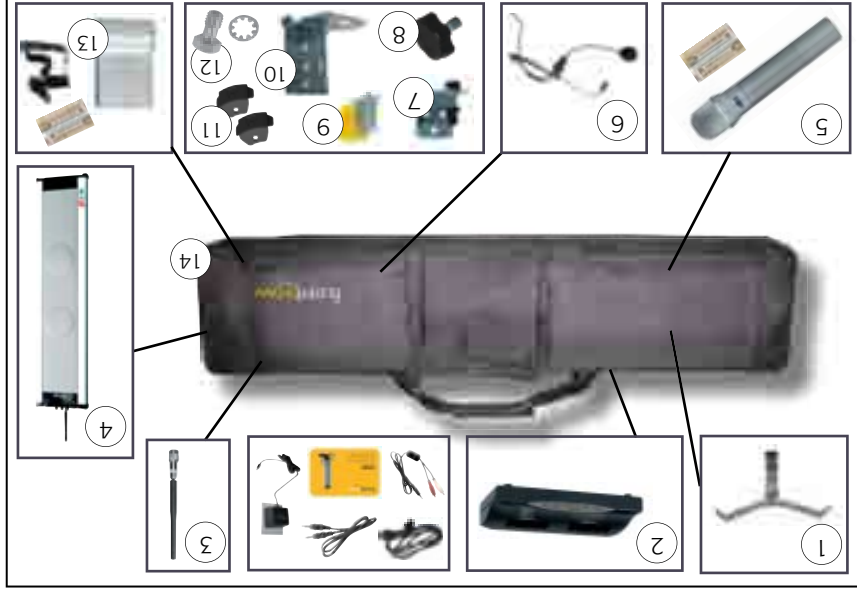
Step 3



(A)

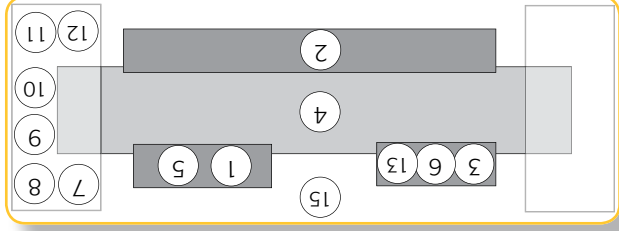
(B)

(C)



frontrow<sup>™</sup> to go Package

- |   |                           |    |                          |
|---|---------------------------|----|--------------------------|
| 1 | Table Stand               | 9  | Wall Plugs and Screws    |
| 2 | Charging Stand            | 10 | Bottom Wall Bracket      |
| 3 | Antenna                   | 11 | Channel Locks            |
| 4 | Receiver 925SR            | 12 | Locking Bolt             |
| 5 | Handheld Pass Microphone  | 13 | Body-worn Transmitter    |
| 6 | Behind the Neck Boom Mic. | 14 | Carry Case               |
| 7 | Top Wall Bracket          | 15 | Cable Kit & Instructions |
| 8 | Finger Screw              |    |                          |



frontrow<sup>™</sup>  
to go

Quick guide



**Australia**

Phonic Ear  
512 Wickham Street  
Fortitude Valley Qld 4051  
toll-free: 1 800 PHONIC  
tel: +617 3250 0385  
fax: +617 3250 0386  
web: www.gofrontrow.com

**Canada**

Phonic Ear  
10-7475 Kimbel Street  
Mississauga, ON L5S 1E7  
toll-free: 800.263.8700  
tel: 905.677.3231  
fax: 905.677.7760  
web: www.gofrontrow.com

**Europe/ASIA**

Phonic Ear A/S  
Kongebakken 9  
2765 Smørum  
Denmark  
tel: +45 3917 7101  
fax: +45 3927 7900  
web: www.gofrontrow.com  
www.phonicear.com

**New Zealand**

Oticon New Zealand Ltd.  
142 Lambton Quay  
P.O. Box 9128  
Te Aro, Wellington  
toll-free: 800 OTICON  
tel: 905.677.3231  
fax: 00800 FAX OTICON  
web: www.oticon.co.nz

**USA**

Phonic Ear, Inc.  
2080 Lakeville Highway  
Petaluma, CA 94954  
toll-free: 800.227.0735  
tel: 707.769.1110  
fax: 707.769.9624  
web: www.gofrontrow.com

**United Kingdom**

PC Werth Limited  
Audiology House  
45 Nighthale Lane  
London SW12 8SP  
tel: 020 8772 2700  
web: www.soundfield.info

921-29-210-00/Rev. B 1107